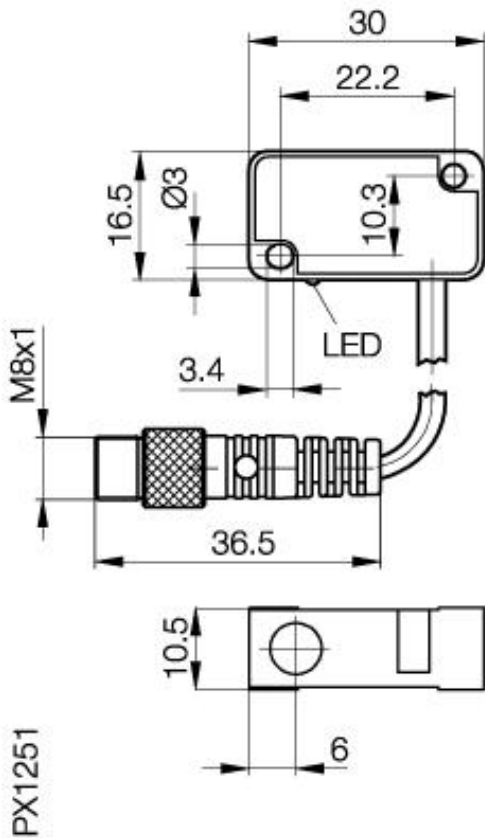


**Inductive Sensors**  
**BES 517-399-NO-C-S 49-**  
**10.5 x 30 x 16.5**  
**normally-open**  
**Sn=2mm**  
**shielded**



**Common Data**

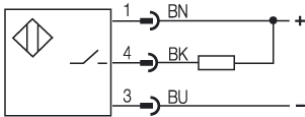
Product name	Minisensor shielded
Mounting in steel	2mm
Rated operating distance Sn	0...1.6mm
Assured operating distance Sa	≤ 5%
Repeatability R	≤ 15%
Hysteresis	yes
Function indication	-25...+70°C
Ambient temperature range	3
Polution Degree	≤ 10ms
Time delay before availability	

**Mechanical Data**

Measurements BxHxT or DxT	10.5 x 30 x 16.5mm
Housing material	PBTP 20%GV
Material of sensing face	PBTP 20%GV
Degree of protection	IP65IP
Connection	Connector
Schock: Halfsinus, 30 gn, 11ms	
Vibration: 55 Hz, 1mm Amplitude, 3 x 30 Minutes	

**Electrical Data**

Current type	DC
Wiring	3-Wire
switching function	normally-open
Output signal	NPN
Rated operational voltage	24 DCV
Rated operational current	200mA
Supply voltage	10...30 DCV
Ripple	≤ 15%
max. switching frequency	2500Hz
No-load supply current	≤ 10mA
Off-state current	≤ 80µA
Voltage drop	≤ 2.0V
Short circuit protection	yes
Protected against polarity reversal	yes



Utilization categories  
 Insulation class

DC 13

Datasheet number:

Definitions see general catalog.  
 If not otherwise noted, ratings according to  
 IEC 60947-5-2 (DIN EN60947-5-2)

Balluff GmbH  
 Schurwaldstrasse 9  
 73765 Neuhausen a.d.F.  
 Phone (07158) 173-0 Fax (07158) 5010

Datenblatt by CD-ROM - 04/2007

